

Operating Instructions

Medical Hand Grip „Modern“, „Med“, „Swing“

As hospital or nursing bed accessory
Item 414, 429, 513



FLEXXPARTS 

Thank you for purchasing a medical hand grip by flexxiparts. This high-quality product is subject to high safety standards and corresponds to the EU regulation 2017/745 (MDR). All versions are CE-marked and are produced entirely "Made in Germany".

Observe the following information when handling this high-quality product:

1) General notes



- Before taking it into operation, the hand grip must be inspected for transport damage.



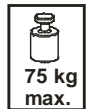
- Always observe the operating instructions before taking this product into operation.



The operating instructions must be available to the charged personnel at all times. Non-observance of the operating instructions may cause health impairment of the user.



- These operating instructions are targeted at all persons who were directly charged with ordering that this product be taken into operation and operated.



- The product must only be installed at a trapeze bar intended for this product (round or oval tube). The permissible maximum load of the hand grip is 75.0 kg.

The product is subject to the provisions of the relevant employers' liability insurance associations where used as work equipment.



- Standard medical device without antimicrobial effect.



- Medical device with antimicrobial effect. This promises effective protection against bacterial strains, viruses and fungi

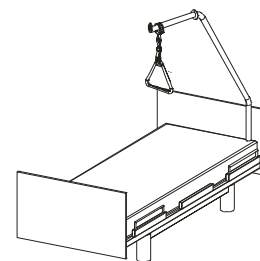
2) Application field & Operation



- The product is intended for use as accessory for hospital and nursing beds, as pulling-up aid or to facilitate nursing tasks in the areas described below.

- It is usually used in the following superordinate nursing areas: geriatric care, nursing care, home care.

- Other areas of use must be coordinated with the manufacturer in advance.



- The hand grip must be installed to the trapeze bar with the slip protection. The tab permits adjustment in length. This adjustment must not be performed using any sharp-edged objects, since there is a danger of damaging the belt. When not in use the hand grip can be put over the trapeze bar. Ensure that the hand grip cannot drop unintentionally.

3) Cleaning and disinfection

- The product is produced of materials that ensure high chemicals resilience.
- The high number of cleaning agents and disinfectants available on the market may influence the properties of the product if the product is disinfected or cleaned with chemical products that were not expressly released by us. Therefore, we cannot assume full warranty of compatibility. (Observe the following notes in this respect.)



- According to AK-BWA, 8th expanded edition 2009, coordination of the treated object (med. hand grip), the treatment agent (decontamination agent, rinse aid) and the decontamination procedure is required before the product is subjected to the procedure for the first time.



- The following contents are classified as problematic and should not be used, since they may cause material failure in the med. hand grip and therefore pose a danger: Organic or inorganic substances with active chlorine (chlorine as such) and turpentine.



- Disinfectants recommended by us*
(partially combined disinfectant and cleaning agents):
Aldasan 2000, Amocid, Antiseptica Kombi Flächen Desinfektion, Apesin rapid, Budesin Spray Off QF, buraton rapid, Bacillol AF, Franko-Cid N, Incidin Plus, Kohrsolin FF, Lysoformin 3000, Melsept SF, neoform MED FF, Pursept-A Xpress S, terralin liquid, WIBUplus Flächendesinfektion, 1+1 Wofasteril SC super
**For use according to manufacturer's specification. Must only be replaced by equal substances. There may be danger when combined with other agents. According to topical VAH disinfectant list.*

- Use lukewarm water for cleaning. Use of non-abrasive, pH-neutralised common household cleaners is permissible.
-

4) Maintenance and disposal notes

- The product is maintenance-free when used as intended as described in 2). For information on the usage duration, see the following paragraphs.



2 Years

- When used in the areas described in 2) and cleaned and disinfected regularly in **industrial bed washing systems**, the product should be replaced after 2 years.



5 Years

- When used in the areas described in 2) and cleaned and disinfected regularly in hospital and nursing operation, the product should be replaced after 5 years.



- The product should be preventively replaced when plastic parts of the belt appear to have outward damage. It has proven beneficial to perform a functional check at least every quarter (e.g. in the scope of a safety-technical inspection).



- Observe that the entire product is replaced at all times, rather than only components.

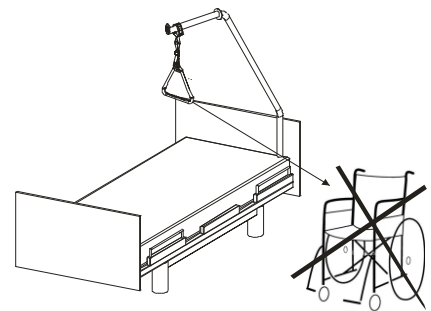
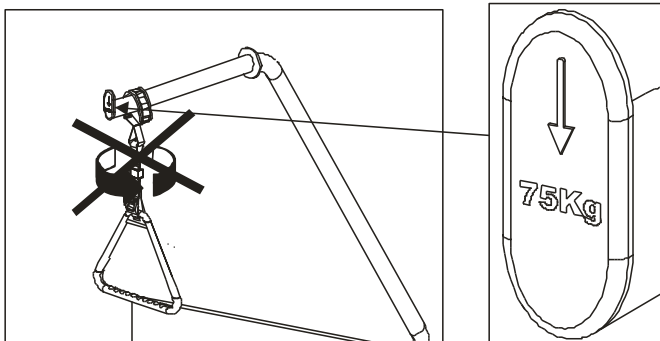


- The product is made of the plastics polypropylene (PP), polyvinylchloride (PVC) and polyamide (PA) and must only be disposed of according to the respective country-specific laws and regulations.

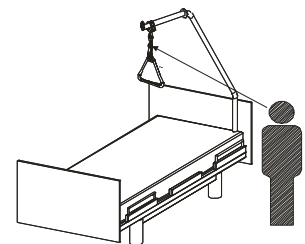
5) Safety notes



- The product must never be turned several times around its vertical axis. This may cause material fatigue. The product must not be used as an aid for standing, e.g. from wheelchairs or the like, since it is merely a pulling-up aid.



- **Before using the product** the user always must visually verify that function is warranted.



Version: 1.2 Dated: 29.10.2024
(C.3 disinfectant updated)